



K-FLOW Engineering

Filtration & Separation

PL Series

High
Flow
Cartridge
Filter



Series : PL

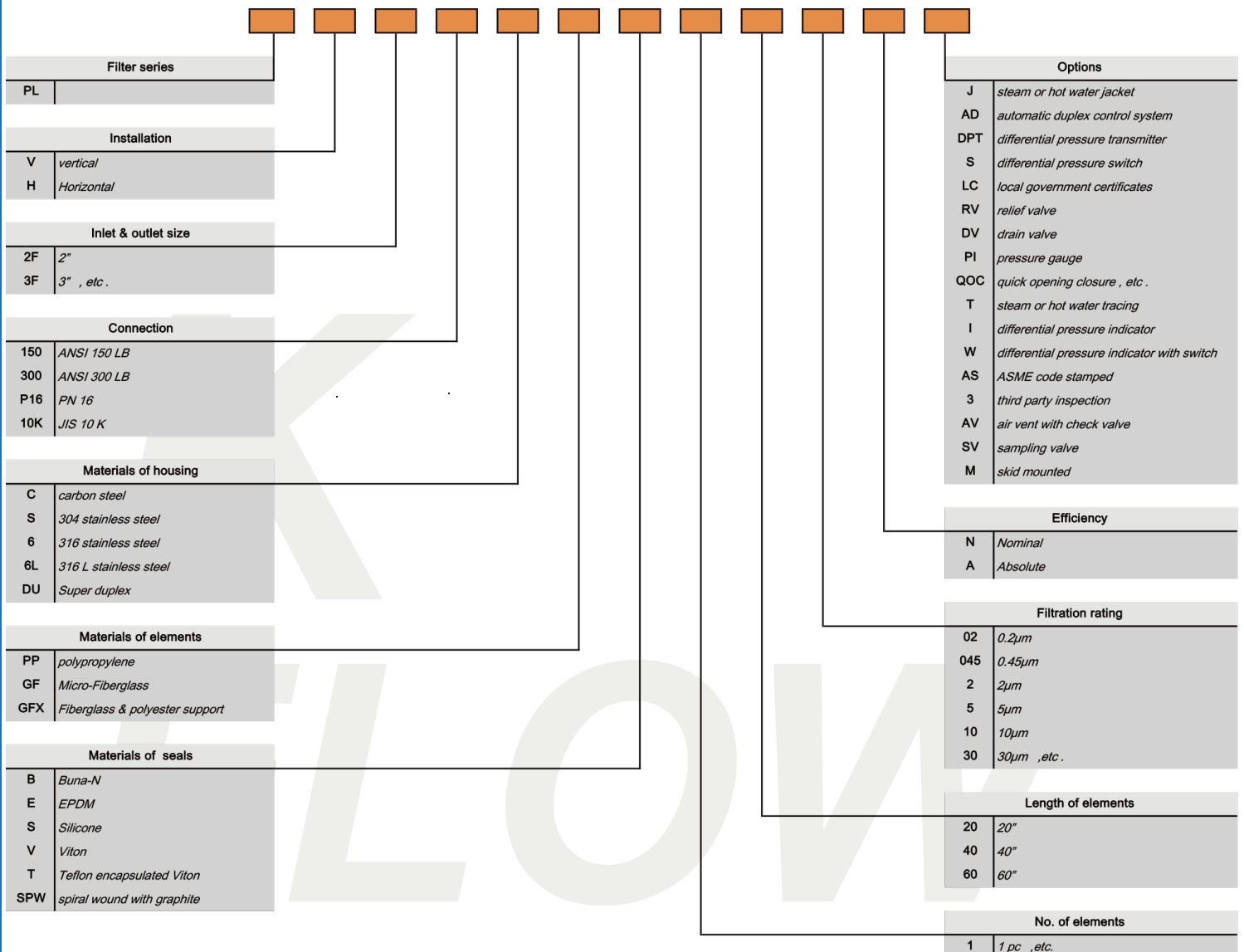
High flow cartridge filter

PL

- Higher Efficiencies
- Lower disposal costs
- Lower maintenance Costs
- Smaller Filter Housings
- Longer Filter Life
- Seal better
- Fewer Elements Resulting in faster change outs
- Graded pore size filtration structure, provide higher dirty holding capacity and longer service life



K-Flow PL series



High flow cartridge filter

afaq

Certificate
Certificat

Certificate of Registration

TTQ84324

**Felca International Corp.
K-Flow Engineering Co., Ltd.
MVA Corporation**

Scope : Design, Manufacturing, Assembly and sale of Filters,
Orifice Plates & Control Valves (Including Butterfly Valves).

No. 120-1, Miaosong 3rd St., Yongkang District, Tainan City, Taiwan, R.O.C.

AFNOR ASIA certifies that all the arrangements covering the above mentioned activities
and locations are established to meet the requirements of the international standard:

ISO 9001:2008 (CNS 12681)

ORIGINAL DATE OF CERTIFICATION 06-MAY-2008	DATE OF ISSUE 06-MAY-2014	DATE OF EXPIRY 07-MAY-2017
---	------------------------------	-------------------------------

APPROVED BY

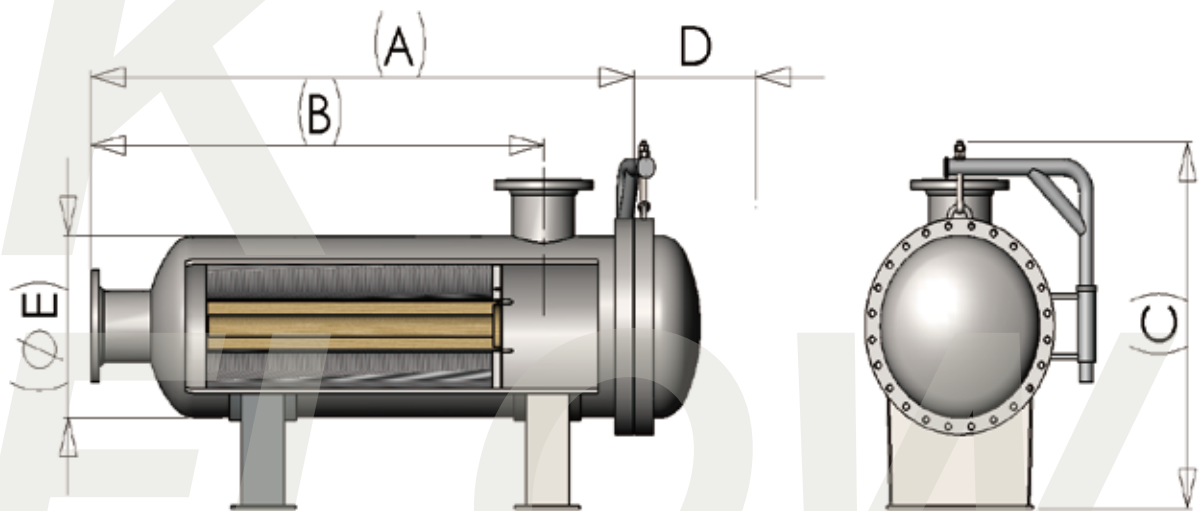
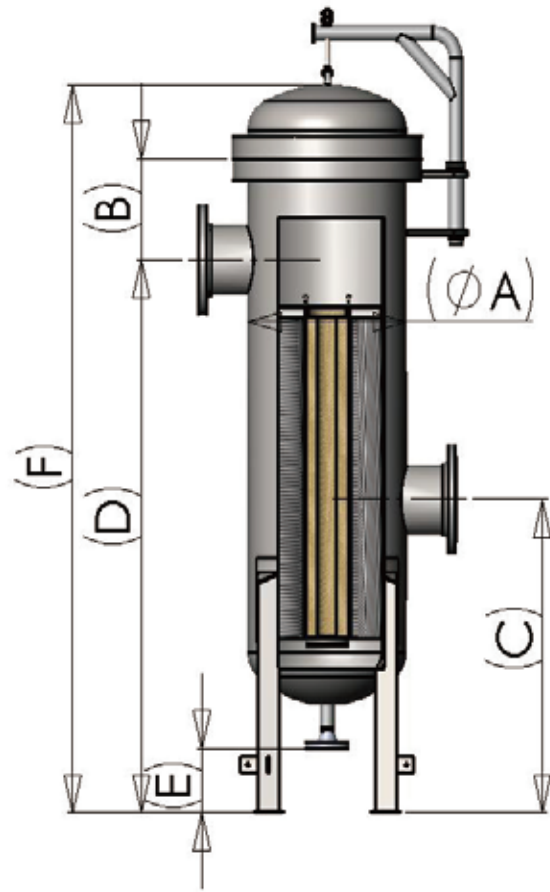
TAF Quality Management Q0917

IAF 288119 ACCREDITED BY IAF & PAO MVA GROUP MEMBER

Tzong-Wen Director for Certification OR SENIOR OF AFNOR ASIA

afnor

AFNOR ASIA - 1, Avenue de la République - 93000 Bobigny - France
T: +33 (0) 1 48 22 22 22 - F: +33 (0) 1 48 22 22 22 - No. 200910 - www.afnor.com



High flow cartridge filter

■ Vertical Housings 40" long filter

Dimensions (mm) & Weight (Kgs)

Size (in.)	No. of filter elements	Dimensions					
		A	B	C	D	E	F
3	1	219 (8")	250	820	1590	250	1960
4	2	406.4 (16")	270	840	1610	250	2085
6	4	457.2 (18")	300	870	1640	250	2155
8	7	558.8 (22")	330	900	1670	250	2235
10	11	762 (30")	360	930	1700	250	2385
12	16	965.2 (38")	400	970	1740	250	2530

■ Horizontal Housings 60" long filter

Dimensions (mm) & Empty weight (Kgs)

No. of filter elements	Nominal housing diameter(E)	Dimensions	
		Minimum horizontal housing overall length (A)	Horizontal housing height (C)
3	406.4 (16")	2965	1070
4	457.2 (18")	2965	1220
6	558.8 (20")	2965	1225
8	660.4 (26")	2965	1330
10	762 (30")	2965	1430
12	812.8 (32")	2965	1475
14	863.6 (34")	2965	1530
16	965.2 (38")	2965	1635
20	1016 (40")	2965	1685
24	1117.6(44")	2965	1785

Remark: Above dimensions are for reference only .

High flow cartridge filter

Vertical Housings 40" long filter			Horizontal Housings 60" long filter		
Size (in.)	No. of filter elements	Recommended flow rate (m3/h)	Size (in.)	No. of filter elements	Recommended flow rate (m3/h)
3	1	30	3	1	40
3	1	35	4	2	72
4	2	70	6	3	160
6	4	160	8	7	280
8	7	260	10	9	440
10	11	440	12	11	620
12	16	620	14	13	760
			16	15	1000
			20	21	1560
			24	25	2200

Filter Elements

K-Flow high flow pleated cartridge filters are using high dirt capacity filter elements, designed.

for the removal of hard particles with a sharp removal cut off and maximum surface area for best selectivity and life. Absolute-rated medias are available in:

- Polypropylene : 100% thermally-bonded polypropylene for water, membrane pre-filtration, food and beverage, chemicals , and acids .
- Micro-fiberglass : High dirt holding for water, hydrocarbons, and certain chemicals. Available with nylon, polyester, or polypropylene support layers and with epoxy or acrylic binder free (in certain micron ratings)
- Resin bonded glass Fiber & polyester support : For water, hydrocarbons, specific acids and solvents.

High flow cartridge filter

Technical specifications

Filter diameter (in./mm)	6/152	6/152	6/152
Filter length (in./mm)	20/508	40/1016	60/1524
Suggested maximum flow rate (m3/h)	15	30	45
Maximum allowable flow rate (m3/h)	40	80	114
Maximum temperature (°F/°C)	180/82	180/82	180/82
Maximum differential pressure (psid/kg/cm2)	50 / 3.5	50 / 3.5	50 / 3.5
Suggested change-out differential pressure (psid/kg/cm2)	30 / 2.1	30 / 2.1	30 / 2.1

Filter cartridge pressure drop per filter length (1)

Filter No.	Liquid removal rating (microns) @99.98%	20" Psid / gpm	40" Psid /gpm	60" Psid /gpm
HF-PP-2	2	0.011346	0.005616	0.003765
HF-PP-5	5	0.005009	0.002479	0.001660
HF-PP-10	10	0.003750	0.001853	0.001243
HF-PP-20	20	0.002568	0.001268	0.000845
HF-PP-40	40	0.001883	0.000931	0.000620

HF High flow filters cartridges for high performance

FLOW

High flow cartridge filter

Features and Benefits:

- ❑ Fewer Element Change-outs
- ❑ Lower Maintenance Costs
- ❑ Lower Disposal Costs
- ❑ Smaller Filter Vessels
- ❑ Absolute Rated Efficiency
- ❑ 99.9% at stated micron
- ❑ β (um)=1000
- ❑ Pleated Cartridge
- ❑ available in 6" x 20" ,6" x 40" & 6" x 60" configurations
- ❑ 28(20") /56 (40") / 84(60") ft² Effective Filtration Area, nominal
- ❑ 100% Polypropylene Construction

Applications:

- ❑ Food and Beverages, Syrups and Flavorings
- ❑ Amines, Glycol, Chemicals
- ❑ Reverse Osmosis Pre-filtration
- ❑ Coolant Water and Process Water
- ❑ Salt Water Injection/Produced Water

Tailored Product Options Available:

K-Flow's products are tailored for your application, including:

- ❑ For liquids with hard particles but without gels and deformable particles
- ❑ For Higher Viscosities
- ❑ media also available in Polyester, microfiberglass , PPS and Nylon 6, 6
- ❑ Metal components available for higher temperatures and fuels

Optional Tailored Features:

- ❑ Buna, Viton , EPDM and TEV O-Rings
- ❑ Polypropylene, Nylon or Carbon Steel Outerwrap
- ❑ All FDA Materials for Food and Beverages or Nylon End Caps for Hydrocarbons and Solvents

Pleated Depth Polypropylene Media Features:

- ❑ High Performance "pleated" Media
- ❑ Available in 0.45 μ m, 0.8 μ m, 1 μ m, 2 μ m, 4.5 μ m, 6 μ m, 10 μ m, 20 μ m, 50 μ m, 70 μ m and 100 μ m
- ❑ Fine Fibers Provide Maximum Dirt Holding, High Flow Rates, And Particle Removal Cut Off
- ❑ Heavy, Dual Drainage Layers Prevent Fiber Migration And Assure Even Flow Distribution
- ❑ By ASTM F 795 TEST (single Pass Test)
- ❑ Long Life and Superior Dirt Holding

Standard product dimensions:

- ❑ Length: 20 ,40 and 60 inches
- ❑ Outside Diameter: 6 inches

Maximum / Recommended Change out ΔP :

- ❑ 3.5 kg/cm² @ 20°C / 2.1 kg/cm²d @ 54°C

How to order HF high flow filters cartridges

HF – PP – 10 – 40 – PP

Filter Media

Polypropylene = PP
Micro-fiberglass = GF
GlassFiber & polyester support = GFX

Micron Rating

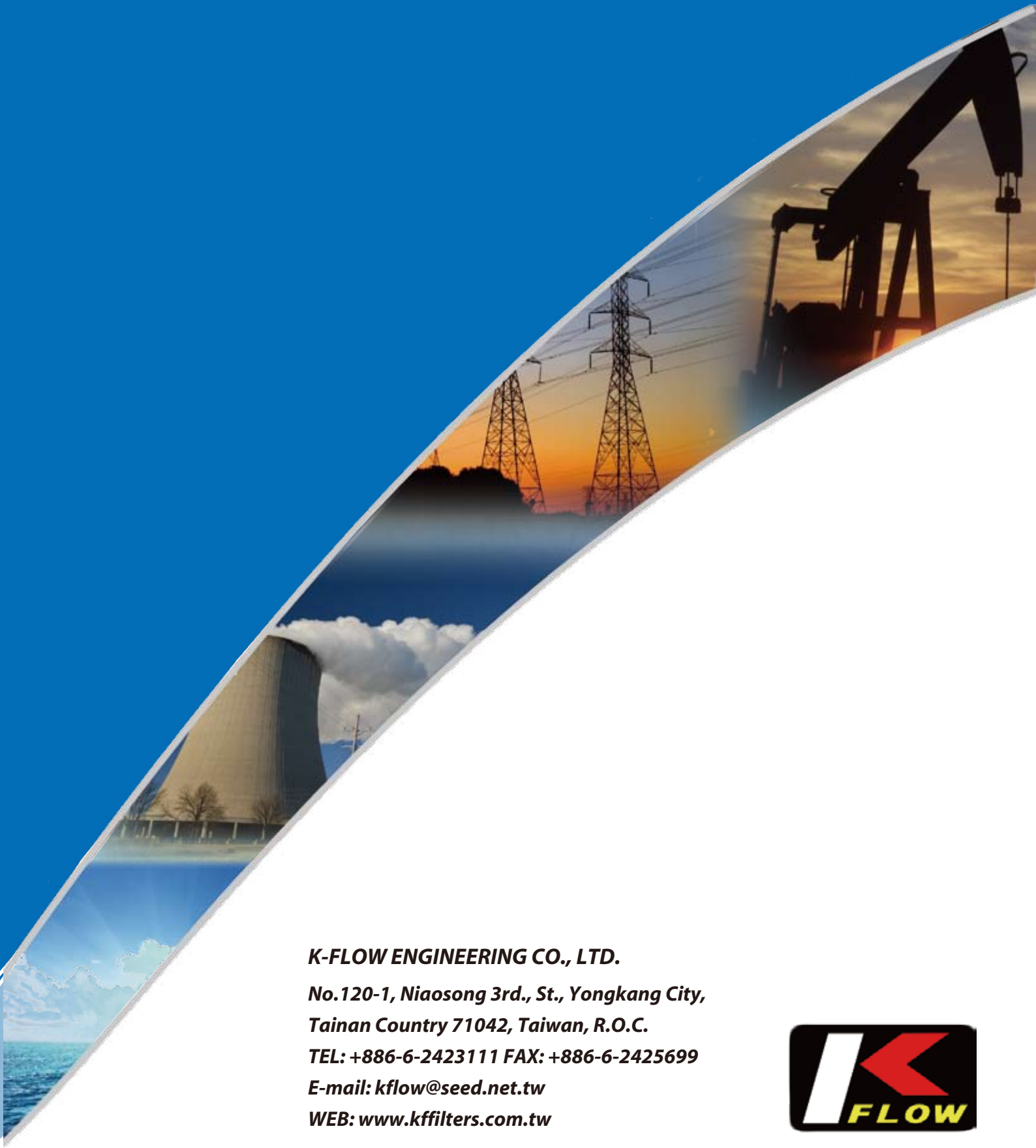
0.45 micron = 045
0.8 micron = 080
1 micron = 1
2 micron = 2
etc

End caps Material

PP = Glass filled PP
GA = Glass filled acetal
L = 316L stainless Steel
PE=Polyester

Cartridge Length

20 = 20 inch
40 = 40 inch
60 = 60 inch



K-FLOW ENGINEERING CO., LTD.

***No.120-1, Niaosong 3rd., St., Yongkang City,
Tainan Country 71042, Taiwan, R.O.C.***

TEL: +886-6-2423111 FAX: +886-6-2425699

E-mail: kflow@seed.net.tw

WEB: www.kffilters.com.tw

