



K-Flow Engineering Co., LTD

No.120-1, Niasong 3rd St., Yongkang District, Tainan City 710,
Taiwan, R.O.C.

TEL : 06-2423111 FAX : 06-2425699

E-mail : kflow@seed.net.tw Website:www.kffilters.com.tw



ISO9001

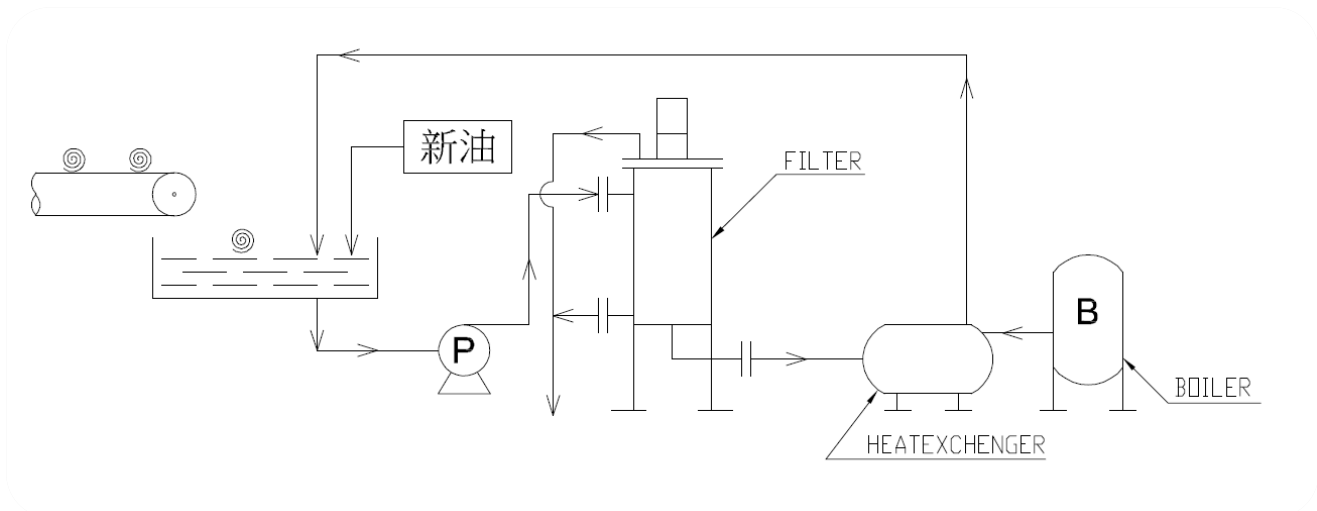
SELF CLEANING FILTER

INSTALLATIONS

Application: Edible Oil

Industry category: Food Industry

CUSTOMER:



FLUID: Edible Oil after deep fly

FLOW RATE: 210 M³/H

TEMPERATURE: 160°C



K-Flow Engineering Co., LTD



No.120-1, Niasong 3rd St., Yongkang District, Tainan City 710,
Taiwan, R.O.C.

TEL : 06-2423111 FAX : 06-2425699

E-mail : kflow@seed.net.tw Website:www.kffilters.com.tw

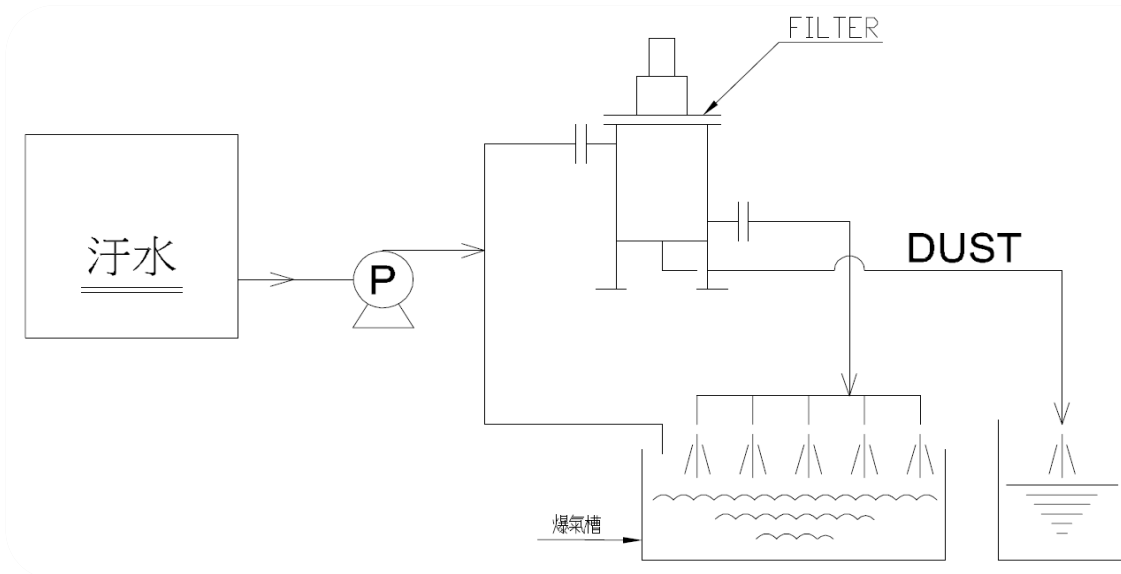
ISO9001

SELF CLEANING FILTER

Application:	<u>Sewage</u>
Industry category	<u>Public</u>
	<u>department</u>

INSTALLATIONS

CUSTOMER:



FLUID: Waste water

FLOW RATE: 20 M3/H



K-Flow Engineering Co., LTD



No.120-1, Niasong 3rd St., Yongkang District, Tainan City 710,
Taiwan, R.O.C.

TEL : 06-2423111 FAX : 06-2425699

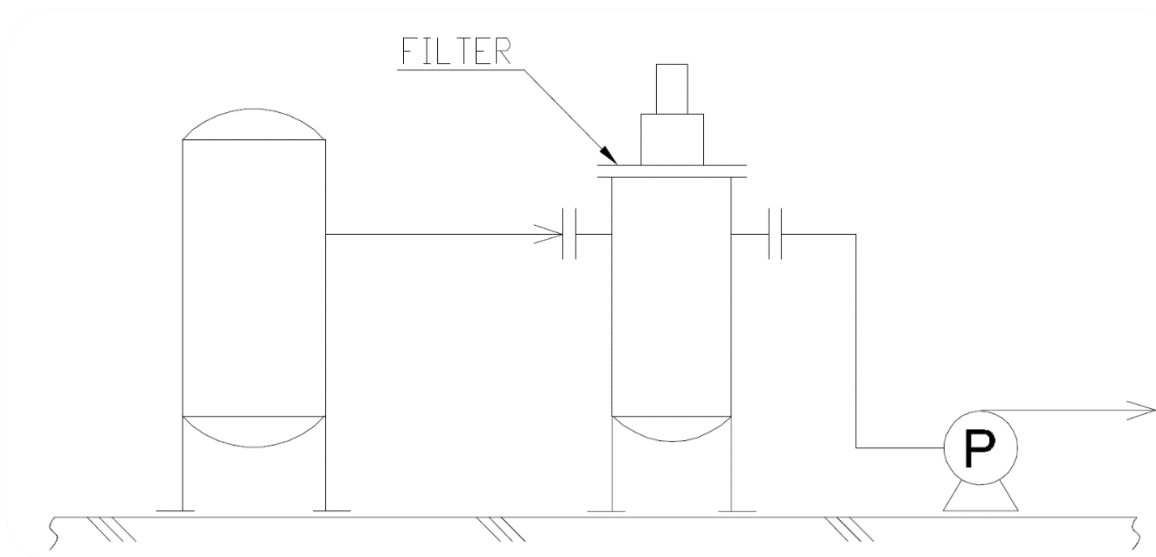
E-mail : kflow@seed.net.tw Website:www.kffilters.com.tw

ISO9001

SELF CLEANING FILTER

Application:	Heavy fuel Oil
Industry category	Energy
CUSTOMER:	Thermal Power plant

INSTALLATIONS



FLUID: Heavy fuel oil

FLOW RATE: 151 M3/H



K-Flow Engineering Co., LTD

No.120-1, Niasong 3rd St., Yongkang District, Tainan City 710,
Taiwan, R.O.C.

TEL : 06-2423111 FAX : 06-2425699

E-mail : kflow@seed.net.tw Website:www.kffilters.com.tw



ISO9001

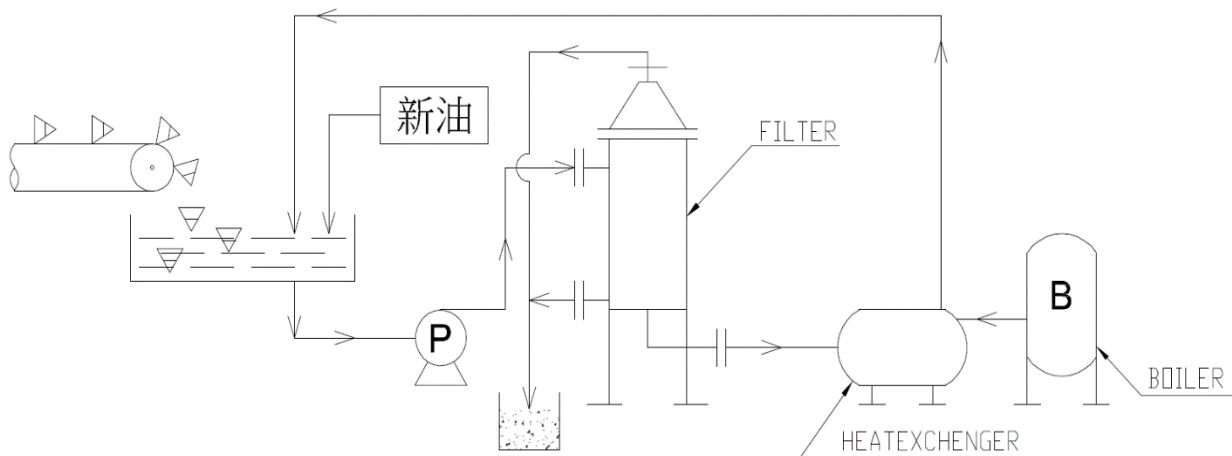
SELF CLEANING FILTER

Application: Edible oil

Industry category Food Industry

CUSTOMER:

INSTALLATIONS



FLUID: Edible oil

FLOW RATE: 60 M3/H

Temperature: 200°C



K-Flow Engineering Co., LTD



No.120-1, Niasong 3rd St., Yongkang District, Tainan City 710,
Taiwan, R.O.C.

TEL : 06-2423111 FAX : 06-2425699

E-mail : kflow@seed.net.tw Website:www.kffilters.com.tw

ISO9001

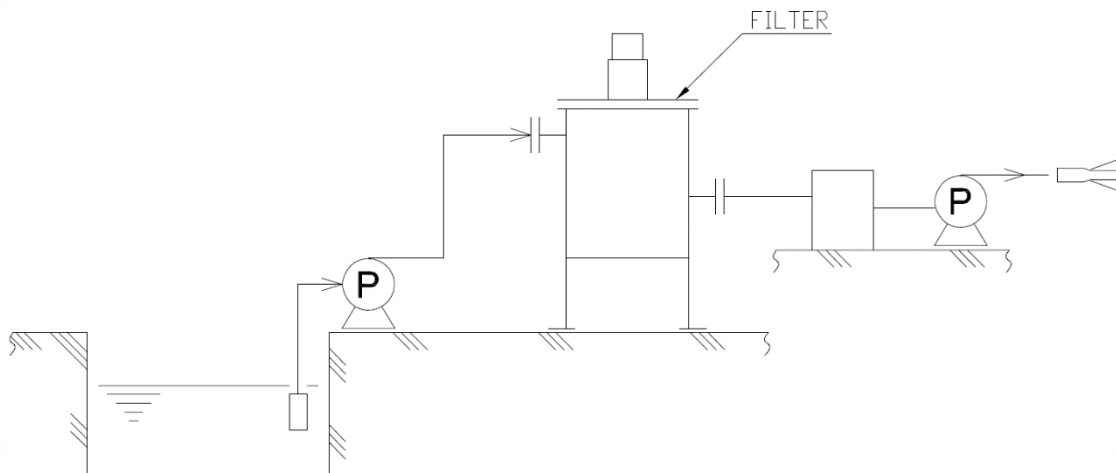
SELF CLEANING FILTER

Application: Incineration
plant

Industry category Environment

CUSTOMER:

INSTALLATIONS



FLUID: Garbage permeate water

FLOW RATE: 3 M3/H

Temperature: 50°C



K-Flow Engineering Co., LTD

No.120-1, Niasong 3rd St., Yongkang District, Tainan City 710,
Taiwan, R.O.C.

TEL : 06-2423111 FAX : 06-2425699

E-mail : kflow@seed.net.tw Website:www.kffilters.com.tw



ISO9001

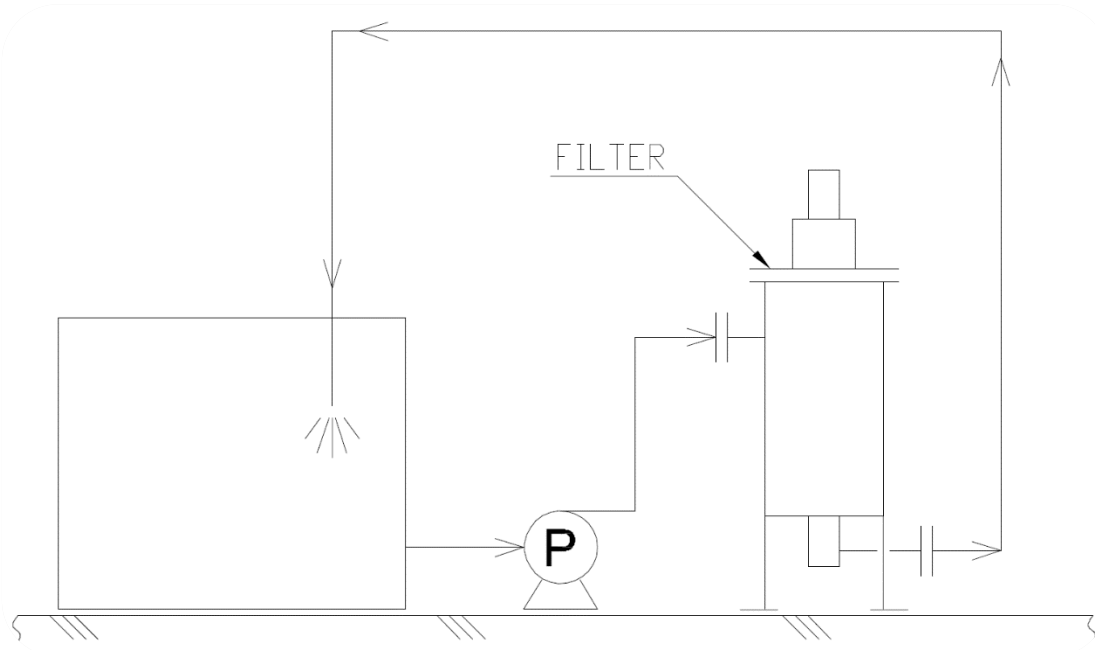
SELF CLEANING FILTER

Application: Reclaim Water

Industry category Food Industry

CUSTOMER:

INSTALLATIONS



FLUID: Water

FLOW RATE: 60 M3/H

Temperature: 20°C