



Y Type Strainers

K-flow

— Filtration & Separation —

CAST STEEL Y STRAINER

Model CY

DESIGN DESCRIPTION:

End Flanges, ANSI B16.5 RF,125-250RA-FN,RJ
 Drain Valve Upon Request

TEST PRESSURE

Shell (By Water)
 150# ----- 450PSIG
 300# ----- 1,125PSIG

Pressure/temperature rating

Referring to working limit, we are now giving a general view of P & T ratings
 Of cast steel body ASTM A216WCB according to ASME/ANSI B16.34-1988.

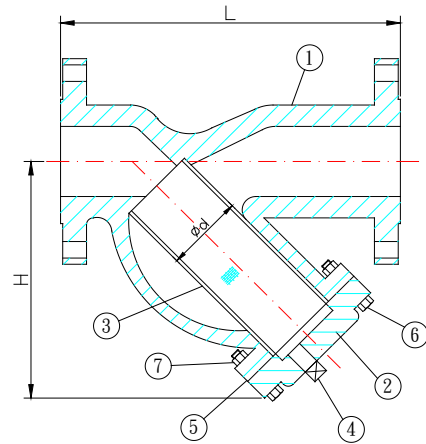
WCB	Working Pressure (PSIG)								
CLASS (°F)	-20~100	~200	~300	~400	~500	~600	~700	~750	~800
150	285	260	230	200	170	140	110	95	80
300	740	675	655	635	600	550	535	505	410

Dimension (for reference only) , unit : mm

SIZE		Class 150				Class 300			
		Dimension (mm)			Wt(kg)	Dimension (mm)			Wt(kg)
NPS	DN	L	H	H1	W.H	L	H	H1	W.H
1/2	15	108	67	92	2	152	70	95	3
3/4	20	117	73	105	2	178	80	110	4
1	25	127	87	117	3	203	115	135	5
1 1/4	32	140	100	138	4	216	105	142	7
1 1/2	40	165	120	155	5	229	128	155	9
2	50	203	145	185	13	267	152	184	16
2 1/2	65	216	170	220	15	292	185	236	20
3	80	241	190	250	18	318	204	266	24
4	100	292	245	340	22	356	265	335	30
5	125	356	290	400	42	400	280	386	50
6	150	406	325	450	50	444	335	460	70
8	200	495	370	500	91	559	420	595	115
10	250	622	455	635	205	622	500	710	270
12	300	699	525	735	297	711	575	781	380
14	350	787	610	885	394	838	650	938	520
16	400	914	800	1160	570	914	740	1055	608
18	450	978	965	1365	680	-	-	-	-
20	500	978	1100	1550	830	-	-	-	-

Part No.	Pater Name	Material		
1	Body	A216-WCB	A351 CF8	A351 CF8M
2	Cover	A105	A351 CF8	A351 CF8M
3	Screen	AISI 304	AISI 304	AISI 3168
4	Drain Plug	A105	F304	F3168
5	Gasket	SPW SS304, FILLER GRAPHITE	PTFE	PTFE
6	Bolts	A193-B7	A193-B8	A193-B8
7	Nuts	A194-2H	A194-8	A194-8

Mesh Size: 20,30,40,60,80,100,120
Drain Size: 1/2", 3/4",1", 1-1/2",2"



Remark: Special alloy and rating are upon requested



K-FLOW ENGINEERING CO., LTD.

No.120-1, Niaosong 3rd., St., Yongkang District,
Tainan City 71042, Taiwan, R.O.C.

Tel:+886-6-2423111 Fax:+886-6-2425699

www.kffilters.com.tw

E-mail : kflow@seed.net.tw