



***In-Line Strainer For  
High Flow Rates  
& Low Pressure Loss  
Model ILS***



**K-FLOW ENGINEERING CO., LTD.**

No.120-1, Niaosong 3rd St., Yongkang Dist., Tainan City 710, Taiwan (R.O.C.)

Tel:+886-6-2423111 Fax:+886-6-2425699

E-mail : [kflow@seed.net.tw](mailto:kflow@seed.net.tw)

## INTRODUCTION

### *Specifically designed for protection of flow meters*

The in-line strainers has been designed for the protection of flow meters in all pipe lines ,and is equally suitable for turbine, positive displacement and orifice plate types of flow meters.

Under modern operation conditions flow meters are being designed for much larger throughput .Pipelines now handle spirit and light products at velocities of over fifteen feet per second and this has required a rethinking on design of filters for meter protection.

The ILS is a considerable advance on earlier filters where high pressure losses and acute flow patterns proved unsuitable.

It allows high rates of flow through the filter with extremely low pressure loss characteristics yet maintaining high efficiency filtration of the liquid.

### Specification

Body & Cover	-Carbon Steel,304,316,316L Stainless Steel.
Basket	-304,316,316L and super Duplex Stainless Steel..
Cover & Basket Seal	-Buna –N, EPDM ,Viton , PTFE ,Spiral wound gasket ,etc.
Mesh Size	-Normally 20 ~ 80 mesh. Also available with 100 ~ 300 mesh.
Working pressure	-150 psi,300 psi
Inlet / Outlet Size	- 2”,3”,4” ,6”
Flanges	-ANSI 150 ,300 LB ,PN 16

### Features

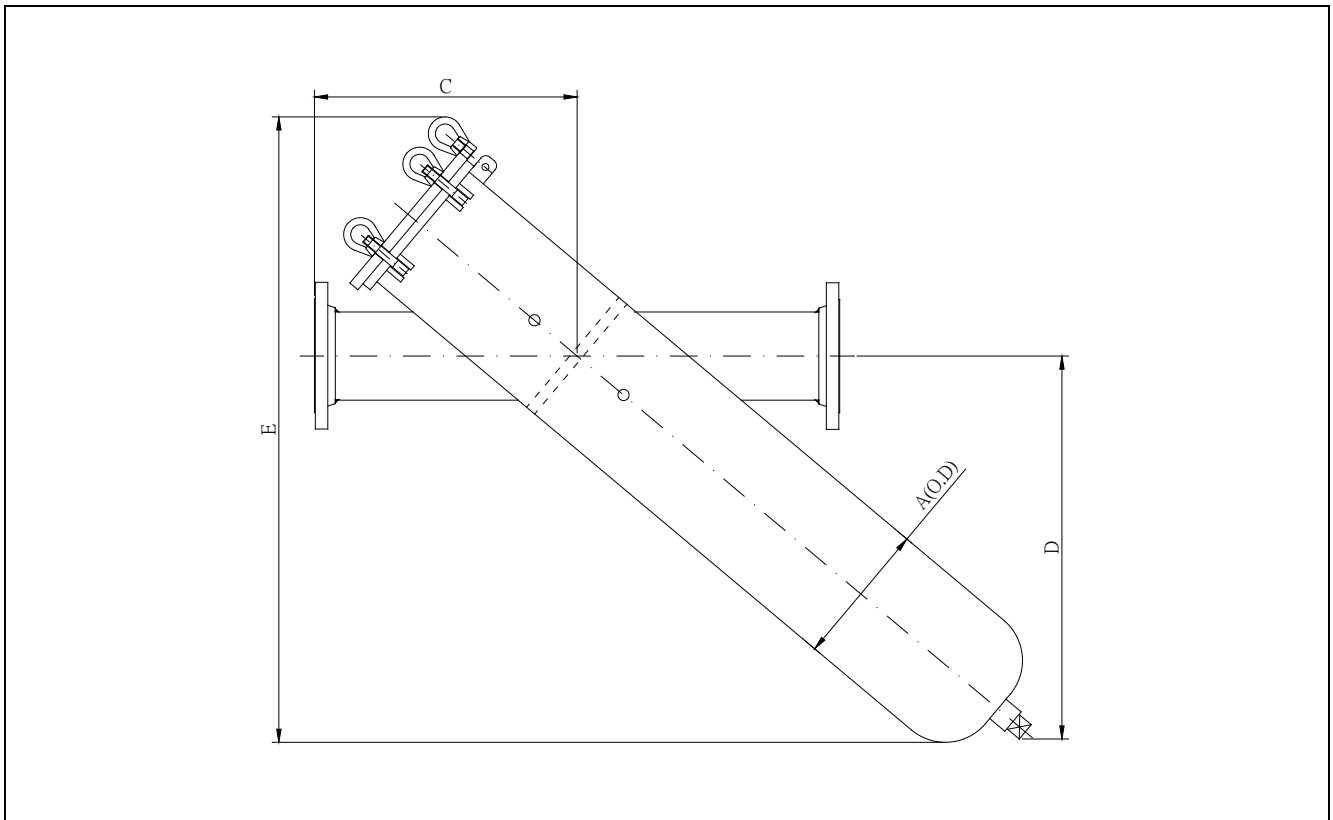
- ▲ No tools required for maintenance.
- ▲ No spillage on basket and cover removal.
- ▲ Baskets and inserts easily cleaned and replaced.
- ▲ No air pockets in standard filters.
- ▲ No small parts to get damaged or lost.
- ▲ Simple robust construction.
- ▲ Long life “O” ring sealing of covers.
- ▲ Smooth passage for low resistance.
- ▲ Drain , gauge tapping and bosses for air release heads ,if required.
- ▲ *Available with manual or automatic self—flushing according to timer or differential pressure loss .*



### Reference Dimensions

Size	Filtration Area	A	C	D	E	Drain
in	Cm <sup>2</sup>	mm	mm	mm	mm	In.
3/4~2"	870	114.3	280	280	535	3/4'
2"~4"	2290	219	343	394	737	3/4"
2"~4"	4096	219	343	610	965	1"
6"	5934	273	500	730	1195	1-1/2"

### Schematics



### In-Line Strainer- How to order

ILS	2	150	S	N	60
Housing Mode;	Connection Size	Connection Type	Material Of Housing	Material Of Cover Seal	Mesh Size
ILS=In-Line Strainer	2 = 2" 3 = 3" 4 = 4" 6 = 6"	N=NPT 150=ANSI150# 300=ANSI300# 16= PN16	C=Carbon steel S=304 St.St. 6=316 St.St. 6L=316L st.st.	N=Buma-N E=EPDM V=Viton T=PTFE S=Spiral wound gasket	20=20Mesh 40=40Mesh 60=60Mesh etc.

Options : 1. Automatic flushing by timer or differential pressure loss . 2. Manual flushing .3. Air vent